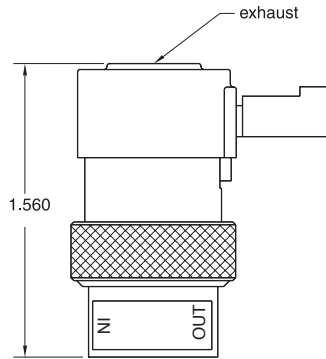


OXYGEN SERIES EV, ET, EC 2- & 3-WAY N-C VALVES

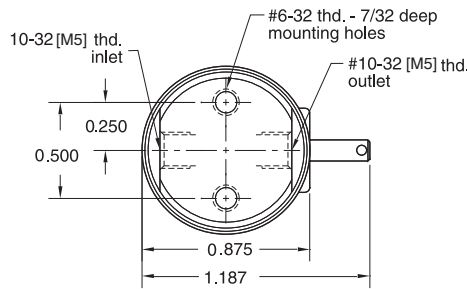
IN-LINE MOUNT



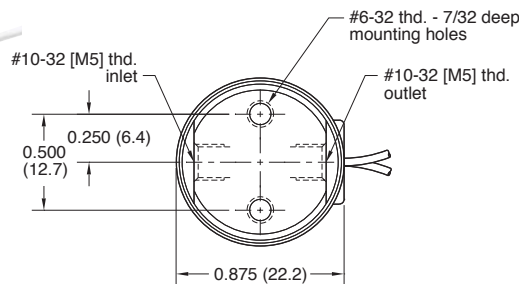
O-EC - □ - □ - □



O-ET - □ - □ - □



O-EV - □ - □ - □



Type: Normally-Closed 2- or 3-Way
Medium: Air (40 micron filtration)
Temperature Range: 32 to 180°F
Power Consumption: 0.67 watt
Response: 5 to 10 milliseconds
Mounting: In-line
Ports: #10-32 [M5]
Operating Range: 90% to 150% of rated voltage
Air Flow: 0.6 scfm @ 100 psig; 17 l/min @ 7 bar
 "L" option: 0.5 scfm @ 50 psig; 14 l/min @ 3.5 bar
 "H" option: 0.45 scfm @ 25 psig; 13 l/min @ 1.8 bar
Pressure Range: 28" Hg Vac. to 105 psig; 0 to 7 bar max
 "L" option: 28" Hg Vac. to 50 psig; 0 to 3.5 bar max
 "H" option: 28" Hg Vac. to 25 psig; 0 to 1.8 bar max
Seals: FKM



For Cable and Connectors, see Page 201.

NUMBERING SYSTEM

O - E □ = □ = □ = □ = □ - M5 - Metric

C - Connector
 T - Terminal Spades
 V - Wire Leads

2 - 2-Way
 3 - 3-Way

Voltages: *
 6 - 6 VDC
 12 - 12 VDC
 24 - 24 VDC

Standard Options:
 Blank - Standard orifice 0.025"
 L - 0.040" orifice
 H - 0.060" orifice
Non-Standard Options:
 D - Diode

* Consult factory for availability of non-standard voltages and other options